



**INSTALLATION GUIDE**

# HEXLOCK SL

## Tooled Axle

Thank you for choosing Manitou and the Hexlock SL axle system. The following instructions will help you install the new axle into your existing Manitou suspension fork. You will be back on the trail in just a few minutes.

Let's Ride.

## Tools Needed



T40 TORX  
Socket and Ratchet



6mm Hex tool



2.3mm Spanner  
Wrench

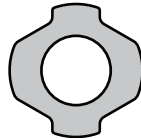
## PARTS LIST



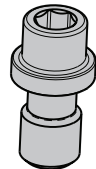
RETAINER TOOL\*  
*Recommended- Sold Separately*  
PN# 141-33397



RETAINER



SHIM



SELF-EXTRACTING  
BOLT

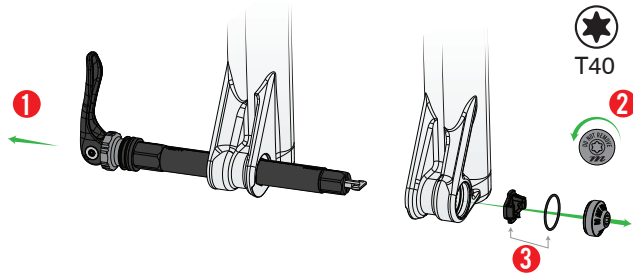


HEXLOCK SL AXLE

# CASTING PREP

## REMOVE QR15 Axle

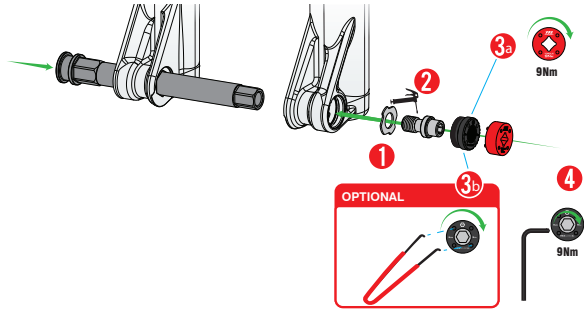
1. Remove the QR-15 axle assembly.
2. Turning counterclockwise, use a T40 to unscrew the QR-15 retaining cap.
3. Remove the O-ring and QR-15 insert from the casting.



# HEXLOCK SL

## Installing Axle

1. Install the HexLock SL's Shim into the QR-15's insert indentation making sure it fits flush on the bottom.
2. Grease the threads of the HexLock SL Bolt and insert it into the HexLock SL shim.
- 3a. [RECOMMENDED] Install the HexLock SL's retainer with the optional retainer tool at a torque of 9 N-m / 80 lb-in.
- 3b. [OPTIONAL] Install the HexLockSL retainer using a 2.3mm spanner wrench.
4. Install the HexLock SL axle at a torque of 9 N-m / 80 lb-in.





Hayes Components USA  
5800 W. Donges Bay Rd.  
Mequon, WI 53092  
Tel: 888.686.3472  
Email: [techsupport@hayesbicycle.com](mailto:techsupport@hayesbicycle.com)  
Web: [www.hayescomponents.com](http://www.hayescomponents.com)

Hayes Components Europe  
Dirnismaning 20 a  
85748 Garching (b. Munich)  
Germany  
Email: [techsupportEU@hayesbicycle.com](mailto:techsupportEU@hayesbicycle.com)  
Web: [www.hayescomponents.com](http://www.hayescomponents.com)



HAYES



PN 4633148